

Conveyor belt monitoring switch Si2



MANY BENEFITS AT A GLANCE

- Roller lever with ball bearings
- Three cable entries M20 x 1.5 for through-wiring
- 2 make contacts and 2 positive break contacts
- Robust construction

Technical data

Electrical data

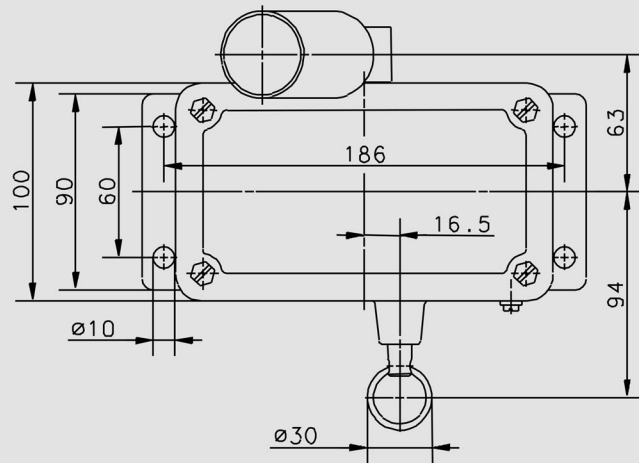
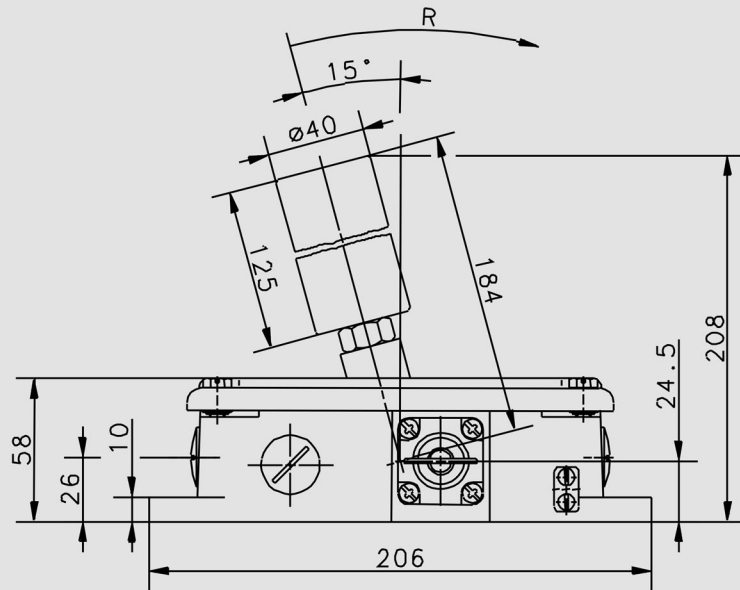
Rated operating voltage	U_e	240 V
Rated insulation voltage	U_i	400 V AC
Utilisation category		AC-15, U_e/I_e 240 V/3 A
Conventional thermal current	I_{the}	10 A

Mechanical data

Enclosure/Cover	Grey cast iron
Switching frequency	$\leq 10/\text{min.}$
Mechanical service life	2×10^6 switching cycles
Permissible ambient temperature	-30°C to $+80^\circ\text{C}$
Protection class	IP65 according to EN 60529

ID for safety engineering

B10d	4×10^6 cycles
------	------------------------



Product selection

Article number Designation

6015736003 Si2-U2Z AW R-Rast

